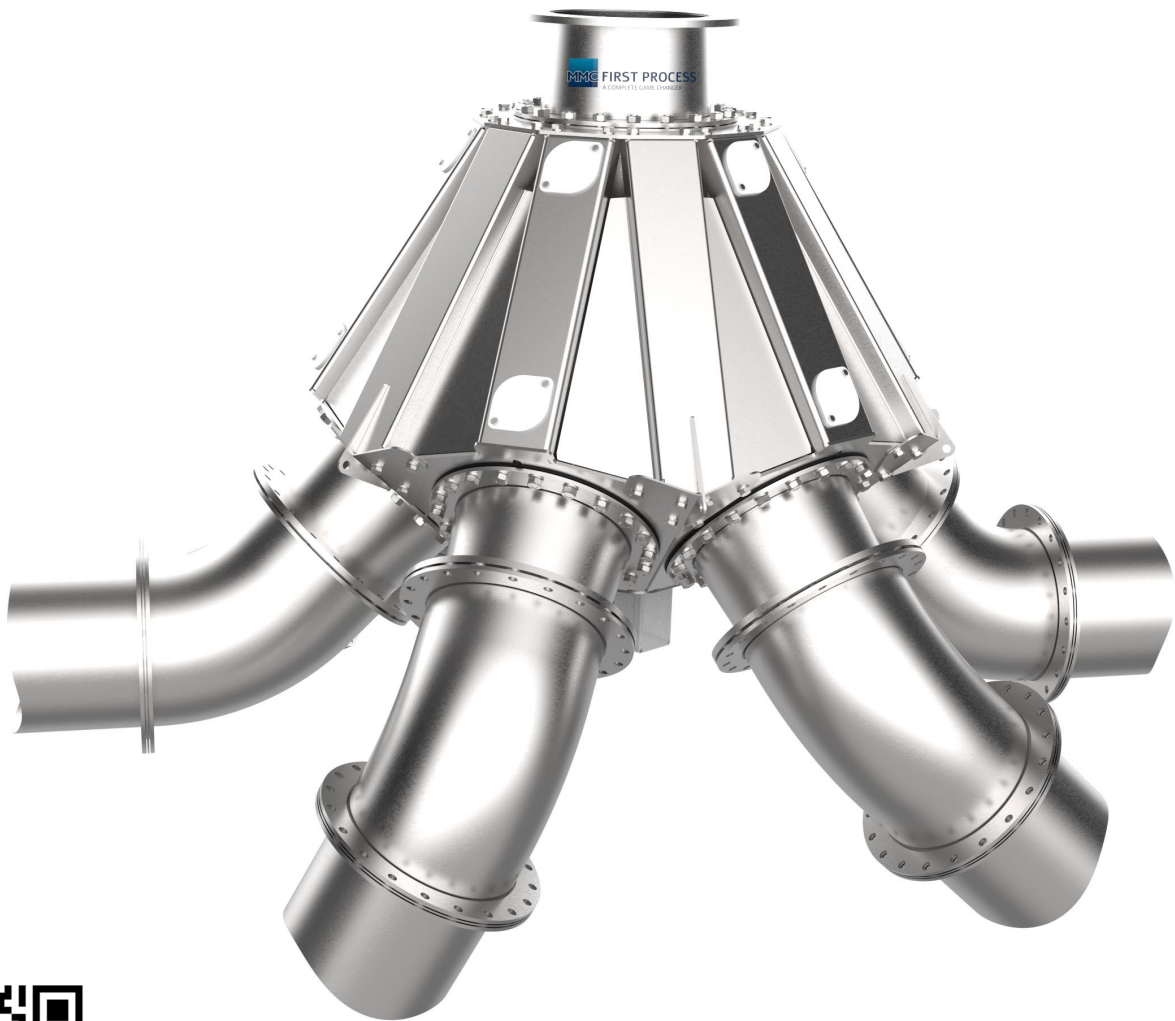
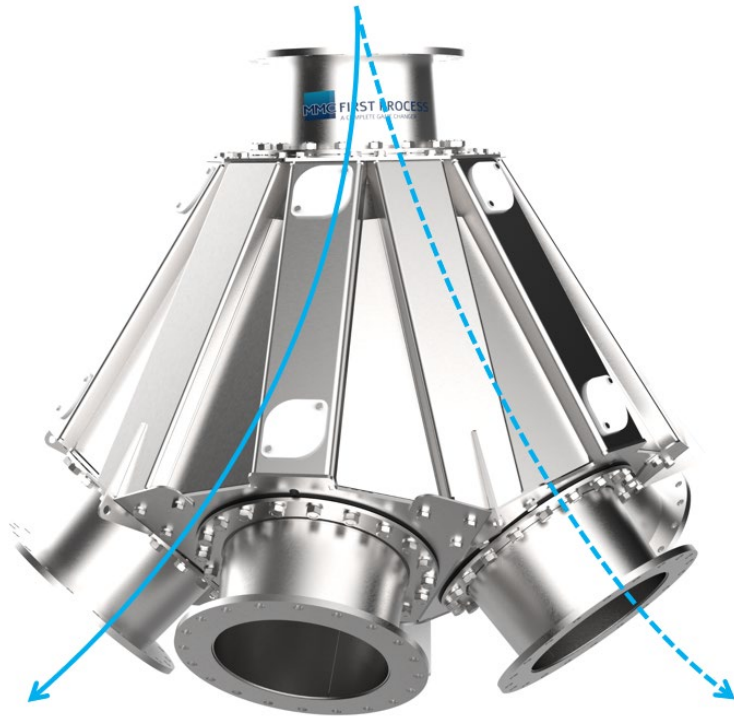


## Pipe selector

The purpose of the MMC First Process pipe selector is to gently route the fish to a preselected location.



## Pipe selector



The MMC First Process pipe selector can be delivered in a 1->4 or a 1->6 configuration and can be installed either upwards or downwards. The pipe selector is fully automated with electrical actuators and operated from the control system.

All the outlet pipes can continue in the same direction as the inlet pipe or any angle between 0° and 90°.

Model	Nominal size	Max pressure [bar]	Max vacuum [bar]
1->4	DN400, DN500	1,5	0,8
1->6	DN400, DN500	1,5	0,8

*MMC First Process has years of experience as a supplier of fish handling systems, that has both fish welfare and sustainability as its main focus. Transport and movement of fish in a gentle and humane fashion, ensures both enhanced fish welfare and high quality of the product that reaches the market.*

*The company has a wide range of products, ranging from specialized pumps, graders, water treatment systems, RSW systems, through to washing systems, packing lines and more.*

*We truly are a **total** supplier for fish handling.*

- Fully automated
- Reduced piping and number of valves
- Routing from / to multiple locations