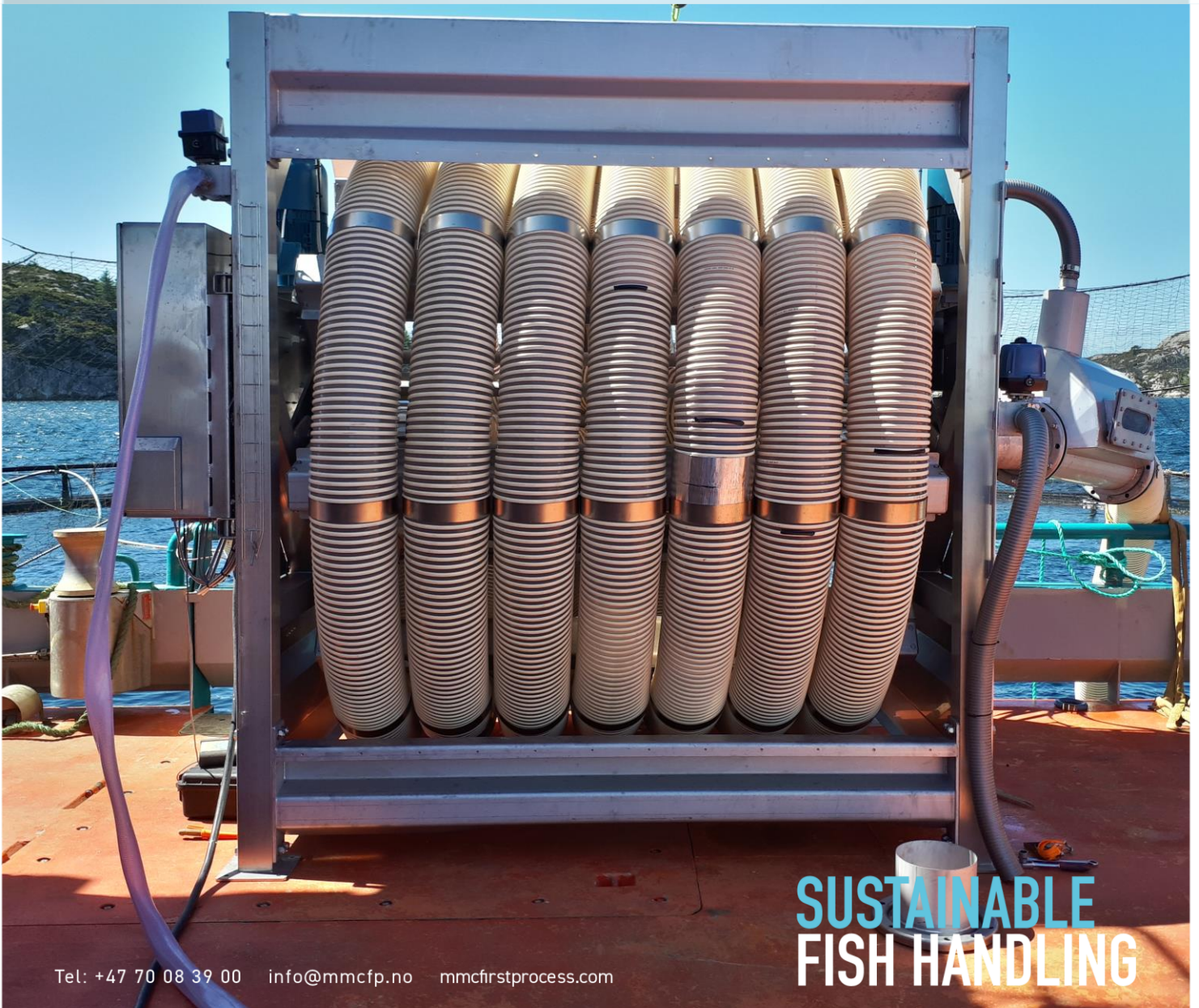




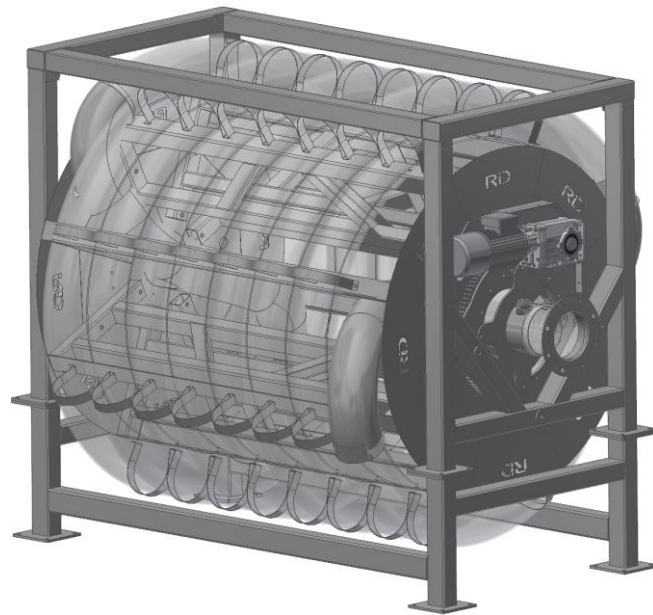
## FISH RID PUMP

Innovative distribution system for gentle pumping of live fish and other fragile products



**SUSTAINABLE  
FISH HANDLING**

## FISH RID PUMP



The MMC First Process RID Pumping system (Patented) is the only spiral pump system with a suction function. The pump is specially designed for transporting fish gently. Chilled water is important for maintaining good quality. The amount of water depends on the fish species.

This pumping system does not propel water and fish through a rotary impeller. Fish are not in contact with the exterior environment, only with the chilled water that

preserves their quality. This high capacity pump is designed for pumping mackerel, herring, shrimp, salmon and white fish etc.

---

### PROPERTIES

- Low energy consumption
- Compact design
- Scalable design for different conditions.

### ADVANTAGES

- Hygienic transport of raw material
- Gentle transport of fragile raw material
- Low noise level.

### VALUE

- Less manual cleaning and washing
- Sustainable solution
- Preserves the good quality of the raw materials.